



ALTERNATOR PRO18S B/4

three-phase brushless synchronous alternator with AVR - 4 poles

Technical Data Sheet

PRO18S B/4

COMMON DATA

Rated Power at 50Hz	kVA	25	
Rated Power at 60Hz	kVA	30	
Rated Power Factor		0.8	
Nominal Temperature	°C	40	
Control System		self excited	
Execution		brushless	
Regulation Type		AVR	
Insulation Class		H	
Protection		IP23	
Maximum Overspeed	rpm	2250	
Overload		110% of rated power for one hour in a cycle of 6 hours	
Air Flow Requirement	m ³ /min	6.3 at 50Hz	6.5 at 60Hz
R.F.I. Suppression		Standard EN55011	

REGULATION DATA

AVR	HVR11	HVR30
Sensing	single-phase	three-phase
Voltage Regulation	±1%	±1%
Sustained Short Circuit	> 300% of rated current	

WINDING DATA

Stator Winding	Double layer with auxiliary winding	
Rotor Winding	with damping cage	
Winding Pitch	2/3	
Number of Leads of Stator	12	
Stator Winding Resistance	0.16 at 20°C	
Rotor Winding Resistance	2.61 at 20°C	
Exciter Stator Resistance	15 at 20°C	
Exciter Rotor Resistance	0.72 at 20°C	
THD at full load	<3%	
THD at no load	<3%	
Excitation at no load	A _{dc}	0.92
Excitation at full load	A _{dc}	2.23

STANDARD

References	EN60034-1 ISO8528-3 EN55011
------------	-----------------------------

PRO18S B/4

ELECTRICAL DATA

Frequency		50Hz - 1500rpm				60Hz - 1800rpm			
Voltage Series Star	V	380/220	400/230	415/240	440/254	415/240	440/254	460/266	480/277
Rated Power in Class H (125°C/40°C)	kVA	25	25	25	22	26	28	30	30
	kW	20	20	20	17.6	20.8	22.4	24	24
Rated Power in Class F (105°C/40°C)	kVA	23	23	23	20	24	25	27.5	27.5
	kW	18.4	18.4	18.4	16	19.2	20	22	22
Rated Power Standby (150°C/40°C)	kVA	27	27	26	24	28.5	30	32	32
	kW	21.6	21.6	20.8	19.2	22.8	24	25.6	25.6
Rated Power Standby (163°C/27°C)	kVA	28	28	27	25	30	32	34	34
	kW	22.4	22.4	21.6	20	24	25.6	27.2	27.2

EFFICIENCY IN CL. H

4/4		86.5%					88.2%
3/4		86.9%					88.6%
2/4		85.8%					86.7%
1/4		82.5%					83.7%

REACTANCES AND TIME CONSTANTS

pcc		0.57						
X _d - dir. axis synchronous		266%	240%	223%	175%	278%	267%	240%
X' _d - dir. axis transient		22.2%	20.0%	18.6%	14.5%	23.2%	22.2%	20.0%
X'' _d - dir. axis subtransient		10.0%	9.0%	8.4%	6.5%	10.4%	10.0%	9.0%
X _q - quad. axis reactance		148%	134%	124%	97%	155%	149%	134%
T' _{do} - O.C. field time constant		101ms						
T' _d - Transient time constant		8ms						
T'' _d - Sub-transient time constant		5ms						

MECHANICAL DATA

Bearing non drive end		6307-2RS-C3	
Bearing drive end (B3/B14 form)		6309-2RS-C3	
Weight of generator	in B2	kg	134.5
	in B3/B14	kg	136.5
	in B3/B9	kg	\

PRO18S B/4

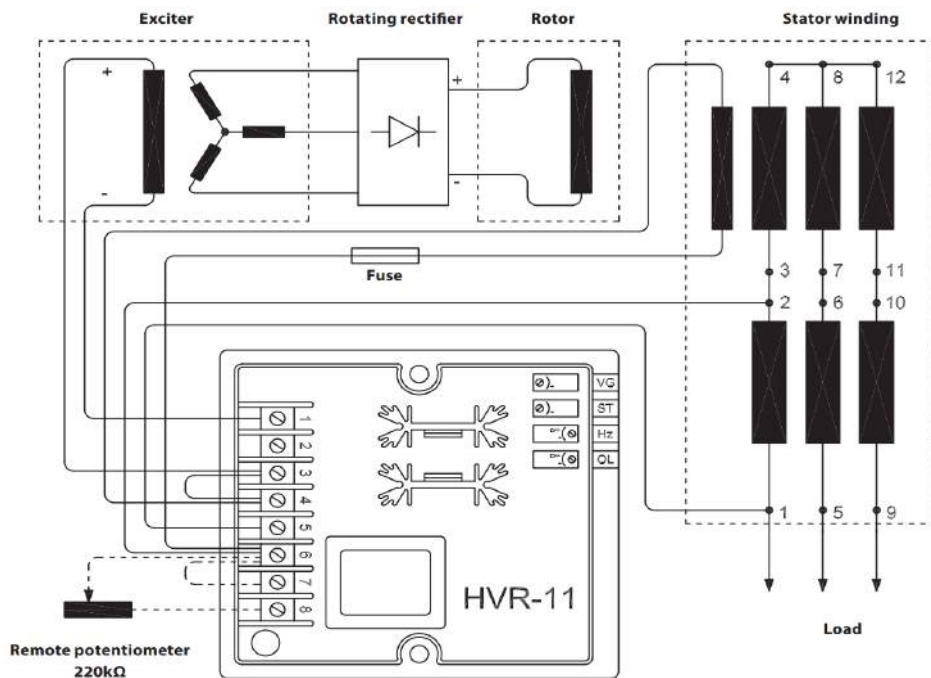
MOMENT OF INERZIA

B3/B9	kg·m ²	\
SAE 7½	kg·m ²	0.244
SAE 8	kg·m ²	0.253
SAE 10	kg·m ²	0.27
SAE 11½	kg·m ²	0.289
SAE 14	kg·m ²	\
SAE 18	kg·m ²	\
B3/B14	kg·m ²	0.231

POWER VARIATION ACCORDING TO TEMPERATURE AND ALTITUDE

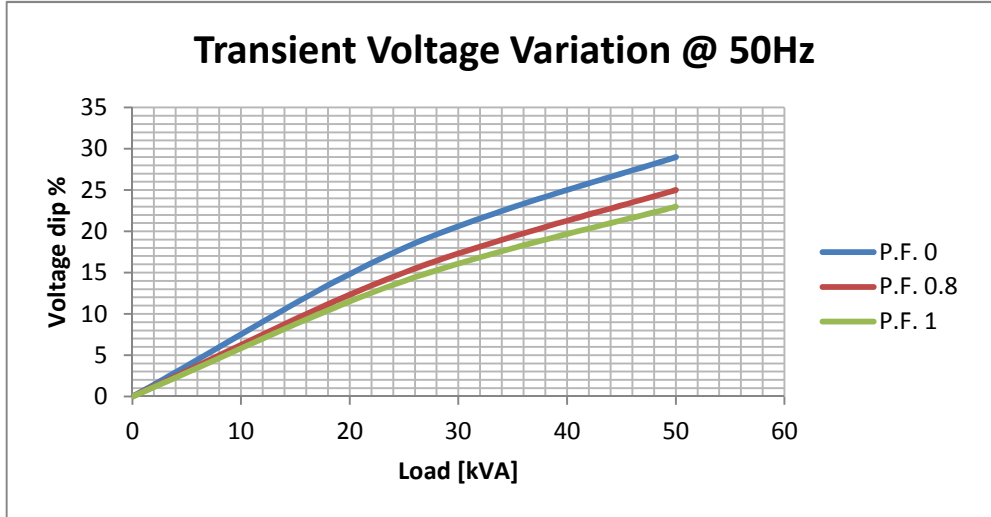
Altitude	Ambient temperature				
	25°C	40°C	45°C	50°C	55°C
< 1000m	1.09	1	0.96	0.93	0.91
1000m - 1500m	1.01	0.96	0.92	0.89	0.87
1500m - 2000m	0.96	0.91	0.87	0.84	0.83
2000m - 3000m	0.9	0.85	0.81	0.78	0.76

WIRING DIAGRAM

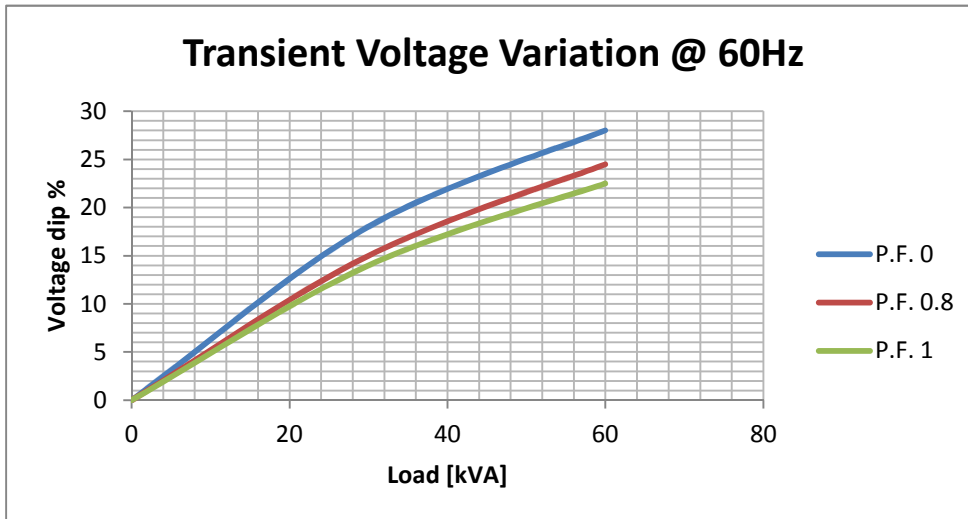


PRO18S B/4

TRANSIENT VOLTAGE VARIATION 50Hz

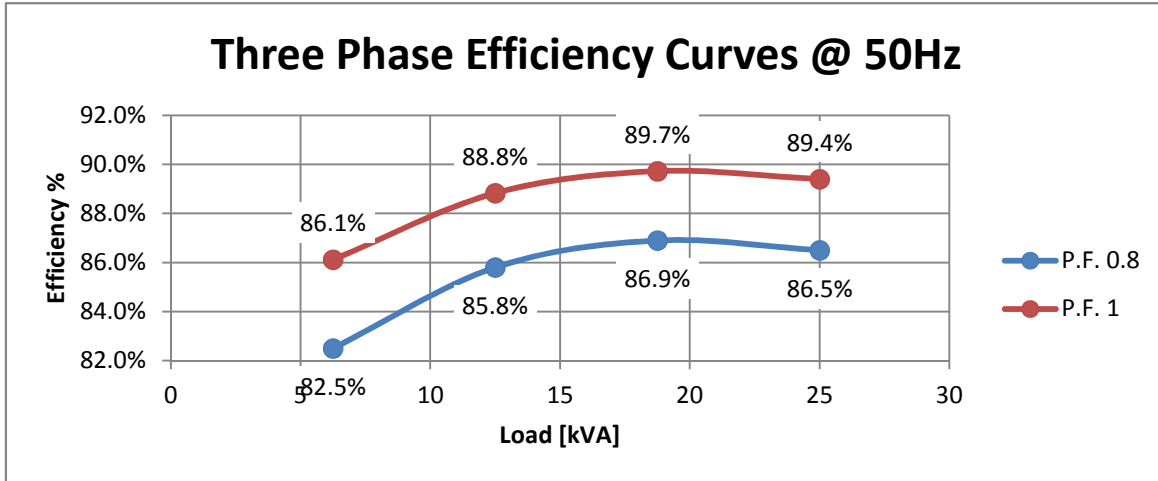


TRANSIENT VOLTAGE VARIATION 60Hz

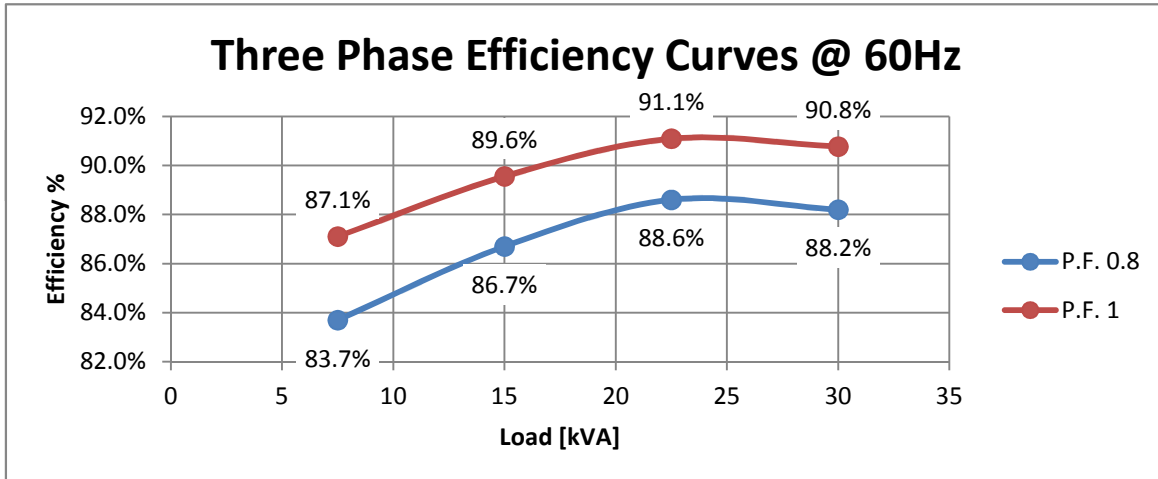


PRO18S B/4

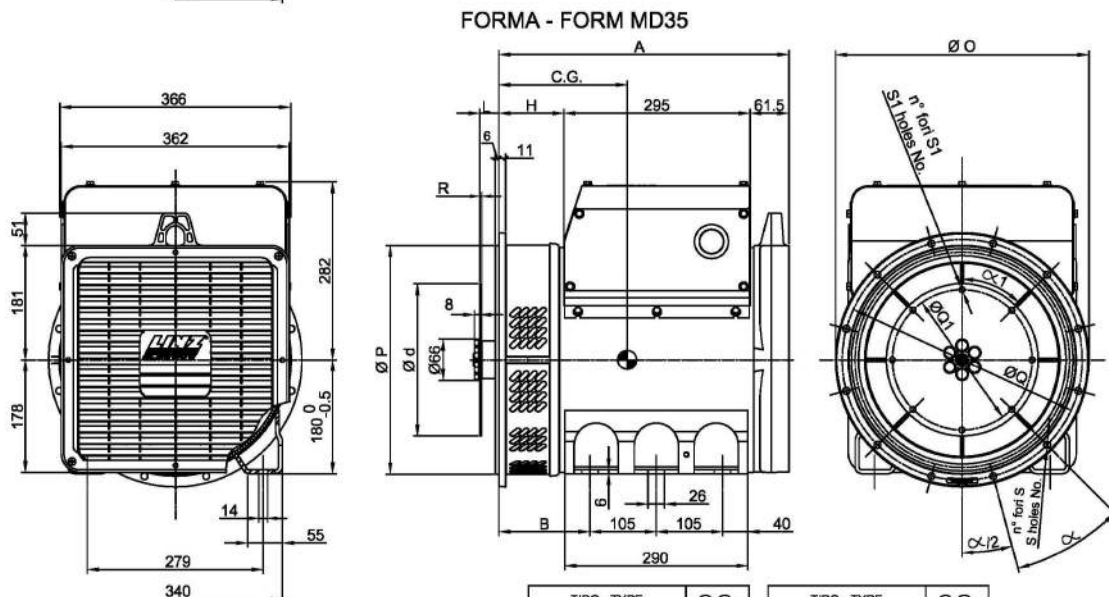
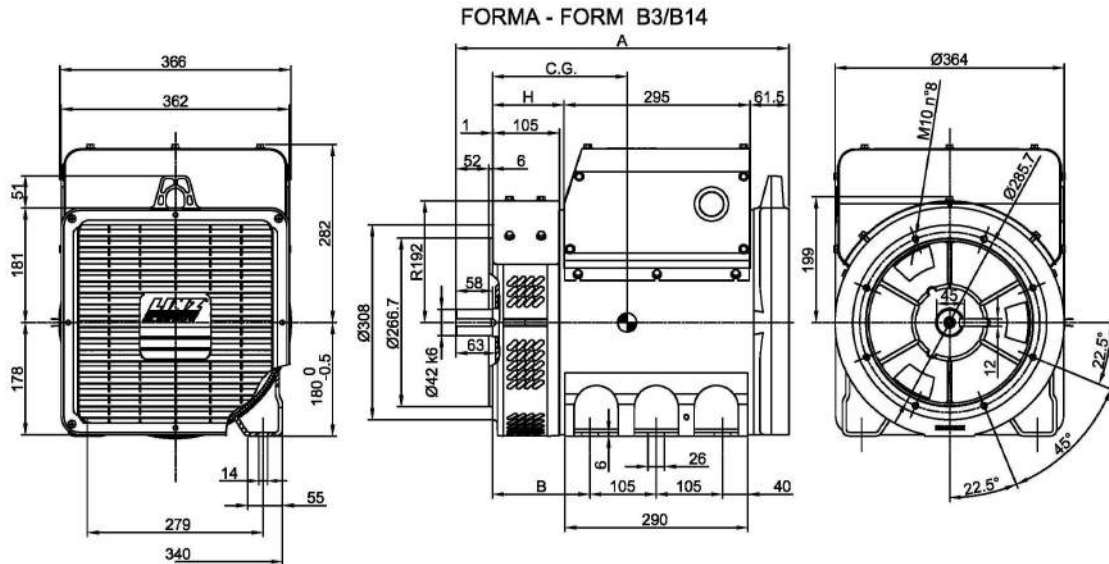
EFFICIENCY 50Hz



EFFICIENCY 60Hz



PRO18S B/4



FORMA - FORM		A	B	H
B3/B14	PRO 18S	528	155	113.5
	PRO 18M	598		183.5
	PRO 18L	710	260	295.5
MD35	PRO 18S	460	145	103.5
	PRO 18M	530		173.5
	PRO 18L	642	250	285.5

TIPO - TYPE	C.G.	TIPO - TYPE	C.G.
PRO18S A/4 B3/B14	217	PRO18S A/4 MD35	213
PRO18S B/4 B3/B14	221	PRO18S B/4 MD35	217
PRO18S C/4 B3/B14	228	PRO18S C/4 MD35	223
PRO18M D/4 B3/B14	251	PRO18M D/4 MD35	246
PRO18M E/4 B3/B14	262	PRO18M E/4 MD35	257
PRO18L F/4 B3/B14	301	PRO18L F/4 MD35	296
PRO18L G/4 B3/B14	318	PRO18L G/4 MD35	313

SAE N.	FLANGIE - FLANGES - BRIDAS					
	Ø O	Ø P	Ø Q	n. fori holes No.	S	α
5	356	314.3	333.4	8	11	45°
4	402	362	381	12		30°
3	451	409.6	428.6	12		30°
2	490	447.7	466.7	12		30°

SAE N.	GIUNTI A DISCO - COUPLING DISCS - JUNTAS A DISCOS						
	L	Ø d	Ø Q1	n. fori holes No.	S1	α1	R
6 1/2	30.2	215.9	200	6	9	60°	4.5
7 1/2	30.2	241.3	222.25	8	9	45°	
8	62	263.52	244.47	6	10.5	60°	
10	53.8	314.32	295.27	8	10.5	45°	
11 1/2	39.6	352.42	333.37	8	10.5	45°	